

# Section 16A

## Manuals, Bags, Lubricants

Bungee Cords .....	3
Cycle Covers .....	8
Goggles .....	3
Locks .....	3
Lubricants .....	8
Manuals/Books.....	2
Pouches .....	10
Saddlebags and Supports .....	4-9

# Manuals



**Panhead**

PCP	Year	OEM
4472	1948-57	
4473	1958-69	99482-69

**XL**

PCP	Year	OEM
4471	1959-69	99484-69
4475	1979-85	99484-85

**Knucklehead/Flathead**

PCP	Year
4470	1940-47

**45**

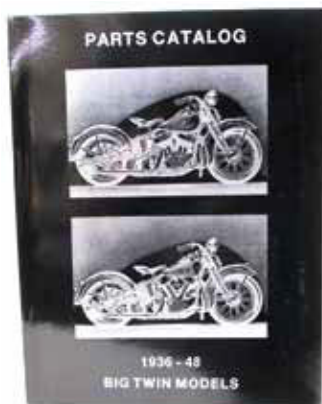
PCP	Year	Application
22574	1929-52	45 Engine only



**Factory Service Bulletins**

"Shop Dope" is the compilation of all service tips from factory to dealers for years listed. Great for trouble shooting. Bound.

4477	1930-40	Knuckle
4478	1941-65	Twins
4479	1957-69	Pan-Shovel



**Parts Books**

PCP	Year	Model
5907	1936-48	Knuckle & Flat BT
5905	1940-50	45 Solo
5906	1941-54	74-80, 45, Servi-Car
5900	1957	Panhead (rigid)
5908	1958-73	Servi-Car
5943	1958-68	BT (99456-68)
5946	1971-80	FX (99455-80)

**Spare Parts Books**

All Models detailed with exploded views and factory numbers.



**Spare Parts Book Collection**

Set of three books: 1936-40 UL, EL and W; 1930-35 R and all 1940-40 BT.

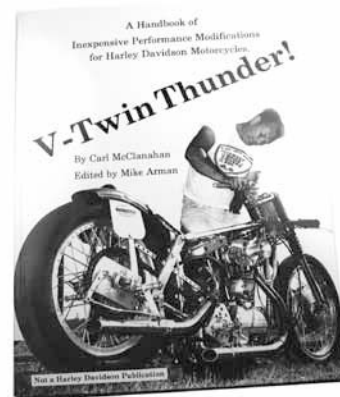
21070



**Spare Parts Book BT 1961-71**

For FL 1961-71 and 1971 FX. (99456-71)

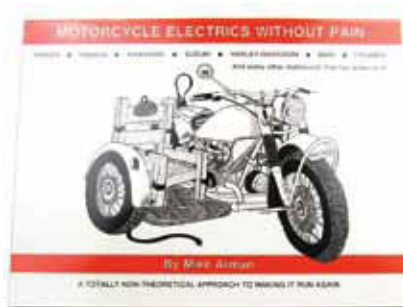
22503



**V-Twin Thunder Book**

56 pages of inexpensive performance modifications.

22502



**Motorcycle Electrics**

60 pages of photos & diagrams that make motorcycle electrics easy to understand and repair.

22501

# Accessories



## “Flying Tiger” Goggles

Features air vents, acrylic non-scratch one-piece lens, and cushioned head strap.

**3539** Goggles



## Red Baron Goggles

Super-popular goggles with air vents, smoke-tint acrylic non-scratch lens, adjustable band and six-position lens adjuster for custom fit.

**1329** Goggles



## Universal Mount Helmet Lock

Designed to be installed on any 7/8" to 1-1/4" diameter tubing such as engine guards, saddlebag guards and frame tubes. Conveniently secures helmets while in restaurants, etc.

**4927** 45732-86



## Padlock

**29401** 45721-96A



## Motorcycle Short Tie Downs

**25900** Pair



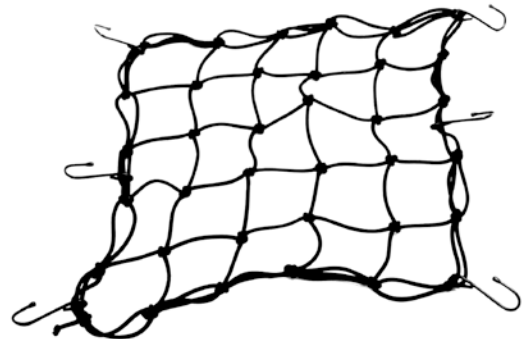
## Black Bungee Cords

A plain black bungee cord to handle your tie-down needs without disrupting the appearance of your motorcycle. Sold in packs of 10.

**80104** 22" long with four arms

**80103** 24" long

**80102** 16" long



## Cargo Nets

Made from multi-strand natural rubber wrapped with a knitted polyethylene black cover. Each has 6 poly-coated hooks to prevent scratching.

**80100** Cargo net 12" x 17"

**80101** Cargo net 15" x 15"

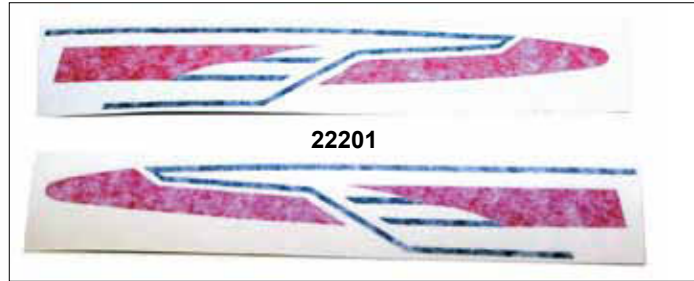
# Saddlebags



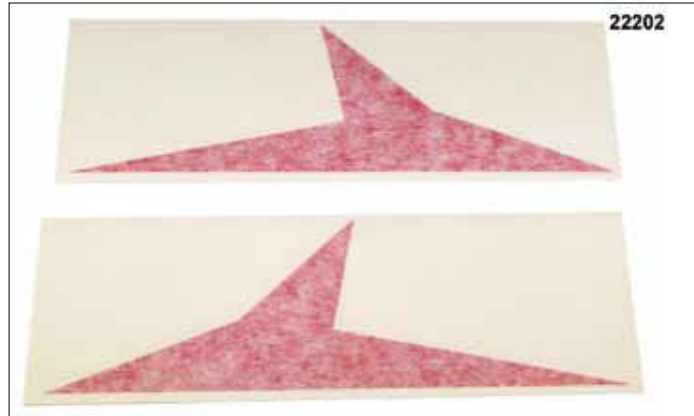
99985



99986



22201



22202

## Saddlebag Medallion Transfers

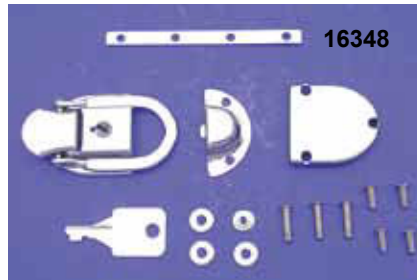
For use on early plastic bubble bags to replace painted designs. Made from pressure sensitive vinyl. Sold in pairs.

PCP	Style	Colour
22201	Rocket	Black/Red
22202	Star	Red

## Replica Plastic Bubble Bag Sets

Complete bag kits include 1958-84 brackets, locks, chrome band, lids, and inner chains. Bags will fit original brackets except on BT swing arm models. Bag set only includes locks, chrome band, lids, and inner chains but does not include brackets.

PCP	Item
99987	White complete bag kit
99988	Black complete bag kit
99985	White bag set (no brackets)
99986	Black bag set (no brackets)
59568	Bracket set BT 1958-84
16348	Lock set



16348



## Kargo Caddy Bracket Kit

Clamp-on bracket kit to mount caddy.

27205 Bracket kit for 3 channel racks 1941-94

# Saddlebags



## Fiberglass Saddle Bag Set- 4 Speeds

Each complete set includes left and right sides, tops, latches, keys, and mounting brackets. Saddlebag top #99983 is a direct replacement for 1970-78 models and can be used on 1979-80 models if hinge kit #16292 is used.

Bags replace 90927-63D, and 90928-63D.

### White Saddlebags

PCP	Application	Finish
99980	1977-84 BT complete set	White
99978	1977-84 BT complete set	Black
99984	1958-76 BT complete set	White
99979	1958-76 BT complete set	Black
99983	Top only (90931-70) (each)	White
99977	Top only (90931-70) (each)	Black
99962	1964-84 Left side bottom (each)	White
99964	1964-84 Left side bottom (each)	Black
99963	1964-84 Right side bottom (each)	White
99965	1964-84 Right side bottom (each)	Black
23052	Rubber gasket for lid 1970-80 (each)	
16292	Hinge kit 1969-84 (90746-79)	
16347	Spacer set to fit saddlebags with luggage rack	



## Chrome Saddlebag Mounts

Bag mounts for all Big Twin 4 speeds from 1963-80.

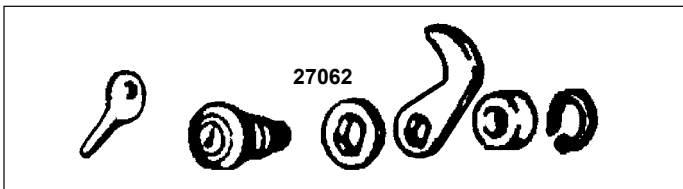
PCP	Description
27496	1963-77 FLH set (left and right side)
27497	1978-84 FLH set (left and right side)
27134	1978-84 FLH Right side rack (90875-77A)
27135	1978-84 FLH Left side rack (90877-77B)
27136	1963-84 FL Rear bracket (no bumper) (90989-63)



## Late Style FL Saddlebag Hinge Kit 1969-92

For both sides.

16292 1969-84 FLH (90746-79)



## Saddlebag Lock and Key FL 1970-80

Replaces 53307-69. Sold each for 1 bag.

27062

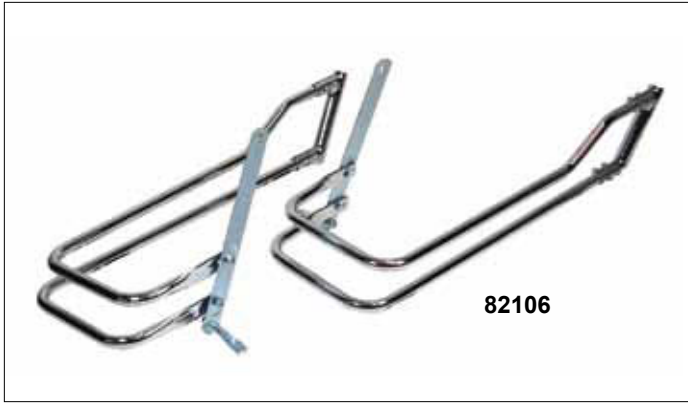


## Saddlebag Hardware Kit

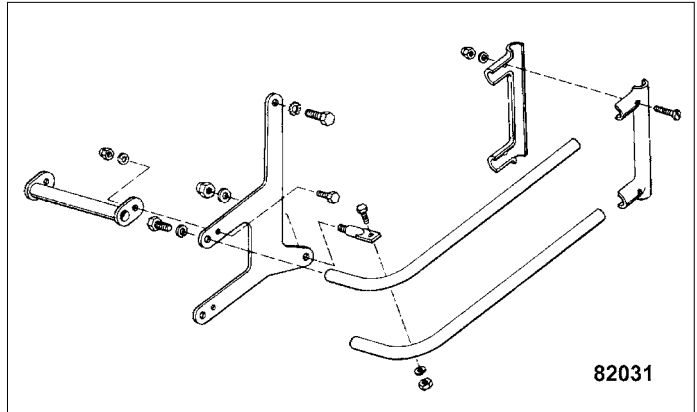
Fits both sides of 1970-80 fiberglass saddlebags, includes parts pictured with lock & keys.

27061	Left or right Side
27062	Lock and hook kit (53306-69, 53307-69)
27029	Lower bag clip repair kit (90949-63A) (12 pcs)
23052	Rubber cover gasket 1970-80 (each)
16340	Lower clip, backing plate (90964-63) (10 pk)

# Saddlebags



82106



82031

## Chrome FLH Saddlebag Guard Kit

Protect FLH fiberglass bags using this left and right chrome rail set.

**PCP Application**

**82031** FL-FLH 1968-77 (90800-68)

**82106** FL-FLH 1978-84 (90800-78)



82045



82031 Installed

## FLT, FLHT Saddlebag Lids

Lids feature a primed finish and are sold each. **Hardware is not included.**

**PCP Application**

**82045** Right 1979-84 (90756-79A)

**23054** Gasket for above 1982-92 (90633-82A) (each)



## Sportster Top Saddlebag Lid 1966-78

Small NOS top saddlebag lid (less hardware) as OEM.

**29199** 90934-66



99907

## Fiberglass Saddlebag Lids

- Fiberglass construction with primed finish
- Order gasket set and hinge set separately
- Sold each

PCP	Side	Application	OEM
99907	Left	FLT 1979-84	90757-79A
99900	Right	FLT 1979-84	90756-79A

# Saddlebags



99992



99993

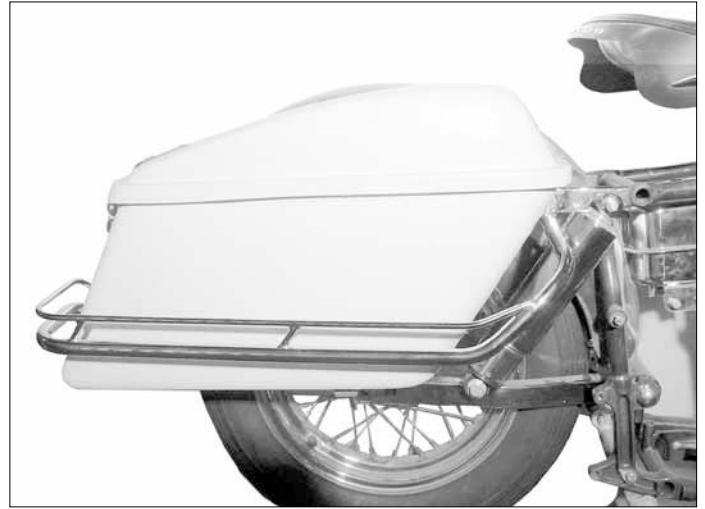
## Replica FL 1963-84 Saddle Bag Set

Each saddlebag set includes left and right lowers with two tops. Brackets not included. Fits 1963-84 FL.

<b>PCP</b>	<b>Finish</b>
99992	White
99993	Black

## Fiberglass Saddlebag Rivets

<b>PCP</b>	<b>Size (1/8" length)</b>
10390	5/16" (90965-63) (50 pack)
10391	1/4" (90966-67) (10 pack)
10392	3/8" (90967-64) (50 pack)



## Chrome Saddlebag Rail Kit 1963-67

Kit includes right and left rails. Mount hardware kit sold separately.

<b>90418</b>	Complete rail kit
<b>59177</b>	Mount kit 1958-67 (zinc)



59177



## Colony Utility Saddlebag Holder Kit

Accurate reproduction of OEM style fasteners (11724-X) used to hold saddlebags on 1936-38 BT.

**72634**

# Fork Oil



## Gasoila Sealant

Available in hard setting red varnish or soft set blue/white with teflon. Red sealant is the original sealer for sealing holes on porous surfaces and for use on the inside of crank cases and cam covers. Blue-white seals threaded joints on pipe threads and fittings. Both types are insoluble in oil, gas and solvents. Sold in 1/4 pint can that includes brush.

- 59474 Red varnish
- 59475 Blue/white



## Gasgacinch Gasket Sealer

Sold as 4 oz. can.  
59476



## Spectro Heavy Duty Fork Oil

Type 'E' and 'Heavy' for superior damping and long lasting lubrication with anti-foaming, anti-rust and anti-corrosion additives. It offers extreme temperature stability, minimizes fluid leakage and resists fading over a wide range of temperatures. **Sold each**

- 91010 Fork Oil, Type 'E', synthetic-20 weight
- 91012 Fork Oil, Heavy, synthetic-40 weight



## Dow 'Super Cover' Motorcycle Cover

Heavy weight polyester covers feature waterproof undercoating, scratch resistant, aluminized panel reinforced grommets for use with a cable or bar lock and an elastic corded hem that ensures a secure fit. PCP# 91701 and 91702 also include a flannel liner for added windshield protection.

### PCP Description

- 91703 Fits all models without sissy bar



## Self Adhesive Flame Trim

- 45134 8" chrome (each)
- 45133 6" chrome (each)



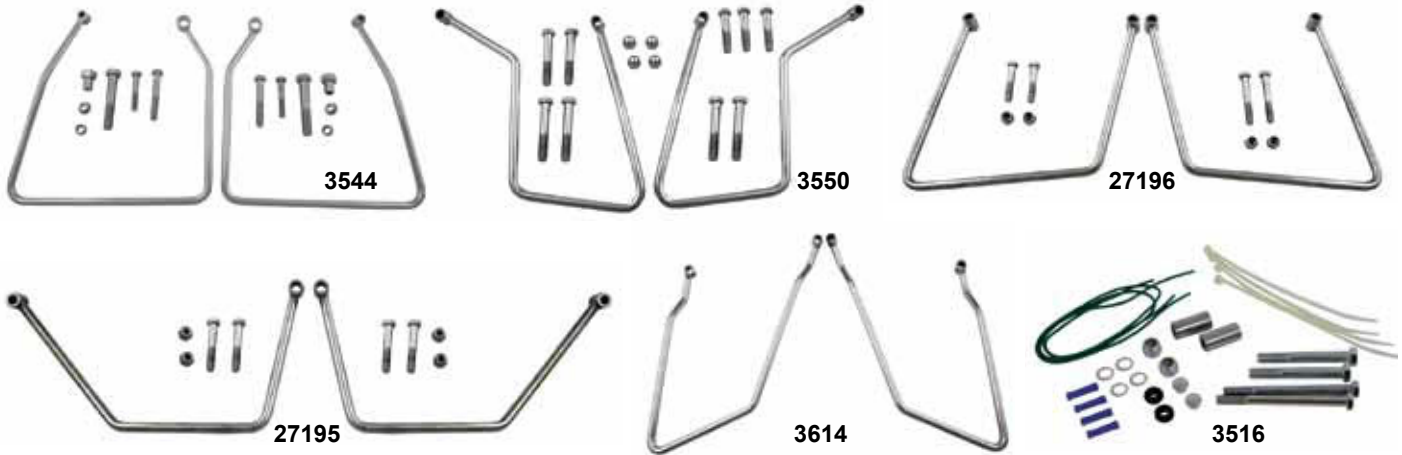
## Metal Majic

Recommended for sealing all metal and painted surfaces, including aluminum, chrome, stainless steel, fiberglass and painted surfaces. Made with DuPont Teflon for use with all quality metal polish.

- 91002 Sold each



# Saddlebags



## Chrome Saddlebag Supports

Designed to fit the contour of the fender struts and protect your bags from the brake caliper and swingarm.

PCP	Year	Model
3544*	1982-93	XLH 5-3/4" (90799-86)
27195	1952-78	XLH-XLCH 11-3/4"
27196	1979-81	XLH-XLCH 8", zinc
3550	1971-85	FX-FXE, FL 7-3/8" (90584-85)
3614*	1982-86	FXR 7-1/4" (90587-85A)
3516	1982-86	FXR, XL Relocation kit (90504-82)

**Note:** Relocation kit #3516 is required for #3544 and #3614



16601



16600

## Decorative Saddlebag and Fender Trims

These precision-stamped stainless steel trim pieces are reproductions of the 1940's and 1950's style saddlebag trims. Available in a pointed tab-mount style for easy installation on all leather goods or in a threaded stud-mount style to be mounted on the sides of fenders, fiberglass saddlebags or trunks. A beautiful 'touch of class' for any motorcycle. Fits Big Twin and Sportster® models. **Sold in pairs.**

**16600** Pointed tab-mount

**16601** Stud mount



## Bungee Nuts

Made of high-grade carbon steel, then chrome plated. Bungee nuts can work as a tie-down knob or an excellent spring anchor, and can be used to replace shock absorber nuts. Sold in pairs.

**3570** 5/16"-18

**3571** 3/8"-24

**3572** 3/8"-16

## S.S. Saddlebag Spoons

Screw-in fasteners easily mount for a variety of uses. Pairs.

**75652**

# Bags & Pouches

Travelcade luggage is made of Leather Tek, a synthetic leather that is actually better than leather for motorcycles. Leather Tek is a heavy weight leathery material that is extremely durable and carefree. This remarkable material does not stain, mildew or rot and is completely waterproof. No more stiffening or cracking. Leather Tek is cleaned easily. A quick wipe with a cloth keeps these bags looking sharp! ....Leather Tek, cows wish they could do better.



## Seat Rail Pouch (Travelcade)

Features: classic buckles and fringe, compliments many other bags and a great companion with our classic angle bag. Size: 8" x 10" x 3-1/2".

**75630** Classic Special



## Concho (Travelcade)

Attaches to any existing luggage or most anything. Can be sewn, glued or riveted. Complete with tie straps. Size: Eagle 6" x 2". (Pair)

**75650** Concho Mounted on Eagle



## Double Strap Tool Roll

Heavy leather roll with dual strap measures 11"x3"x6" tall. **59484**



## Large Leather Sissy Bar Bag

Custom mount to your sissy bar. **91700**



## Leather Tool Pouch

8 oz leather, 4" x 4" x 11" wide. Secures with 2 straps. **59482**